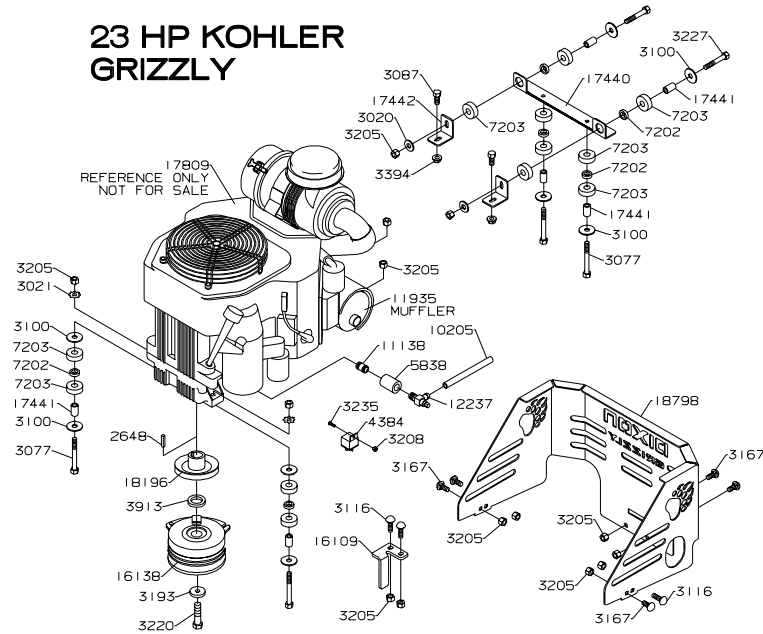


2006 PRODUCTION

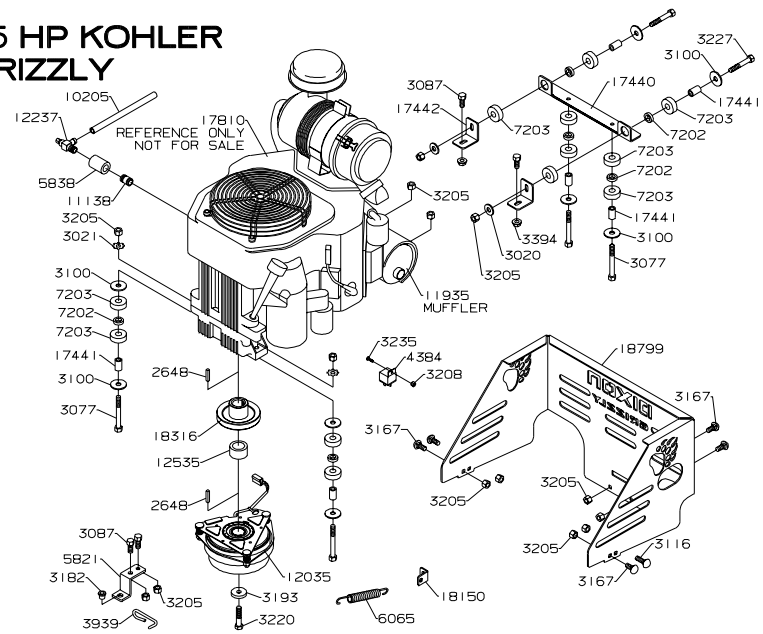
GRIZZLY 60" MOWER DECK



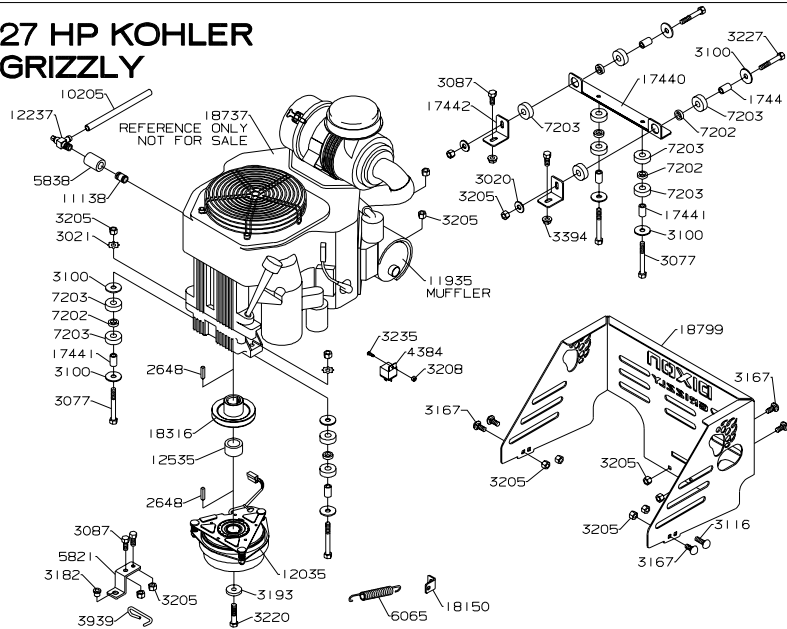
### 23 HP KOHLER GRIZZLY



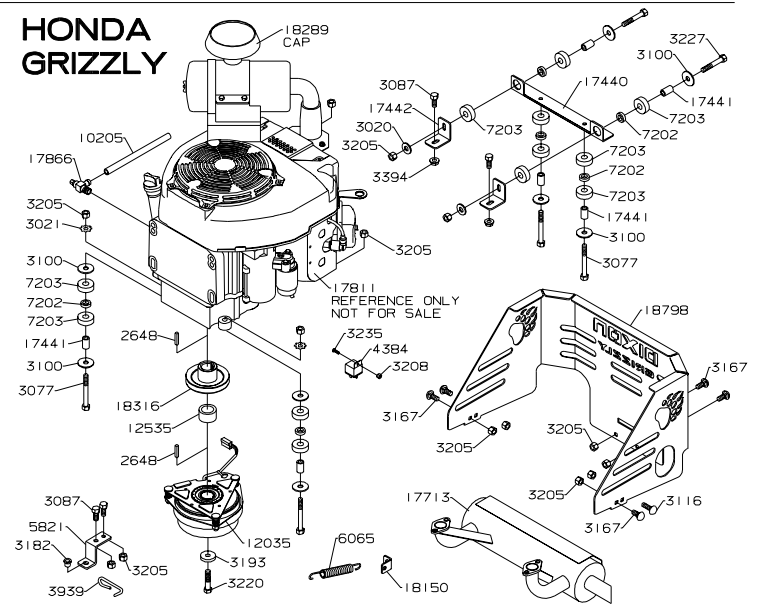
### 25 HP KOHLER GRIZZLY



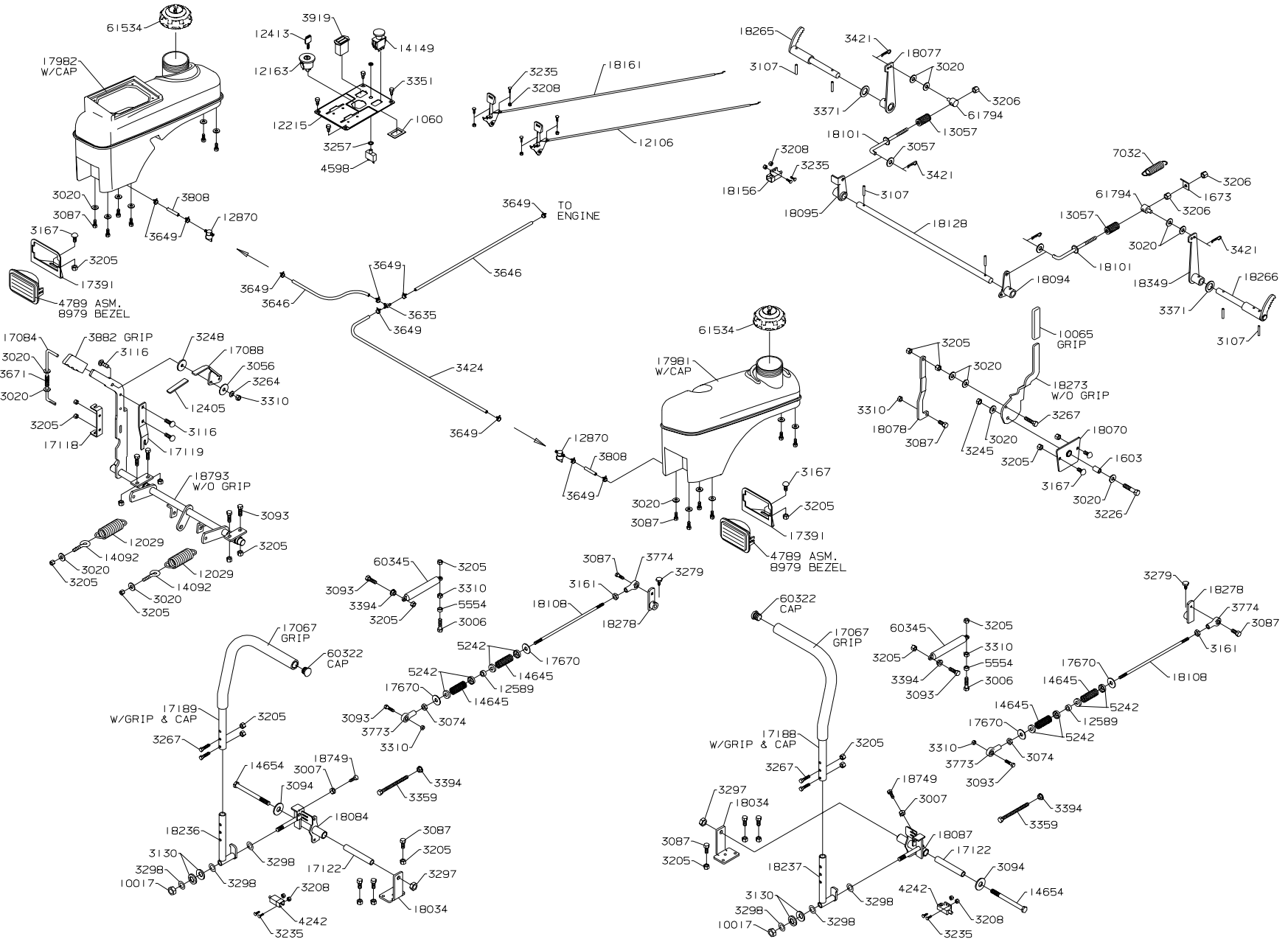
### 27 HP KOHLER GRIZZLY



### HONDA GRIZZLY



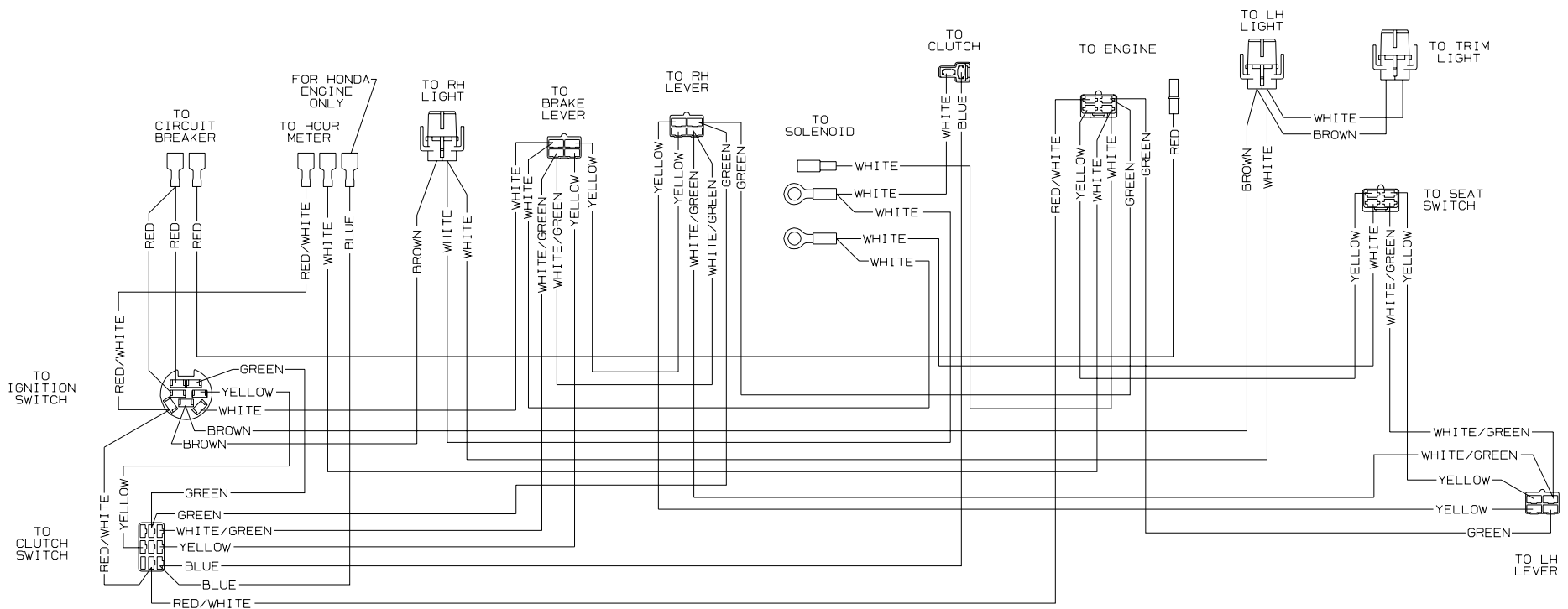




2006 PRODUCTION

GRIZZLY 50" CONTROLS & TANKS





GRIZZLY WIRE LOOM - 18769  
 ENGINE GROUND CABLE - 4216  
 BATTERY GROUND CABLE - 10187  
 BATTERY CABLE - 2110  
 SEAT SWITCH PIGTAIL - 18298  
 SEAT SWITCH ADAPTER - 18804

CLUTCH GROUND CABLE  
 (23HP KOHLER ONLY) - 4216

OIL PRESSURE SWITCH WIRE  
 (HONDA ONLY) - 18175

KOHLER ADAPTER - 18157  
 HONDA ADAPTER - 18158  
 CHARGE-N-HOLD WIRE HARNESS - 78012